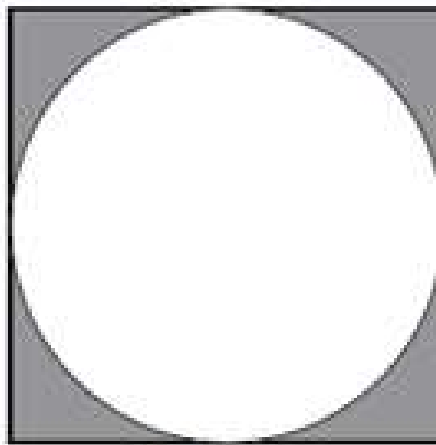


# Commonly Missed Q's

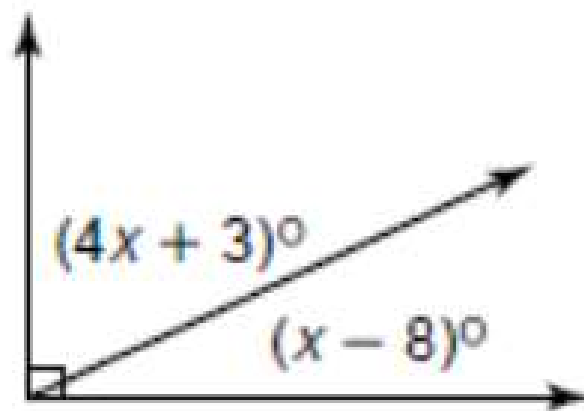
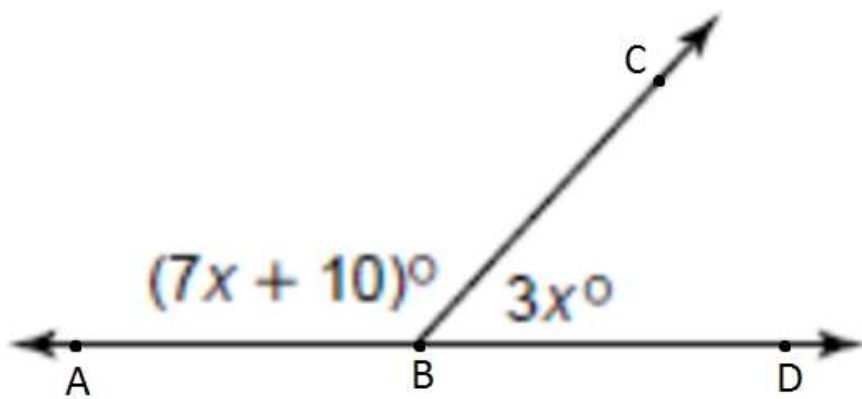
Units 7 and 8

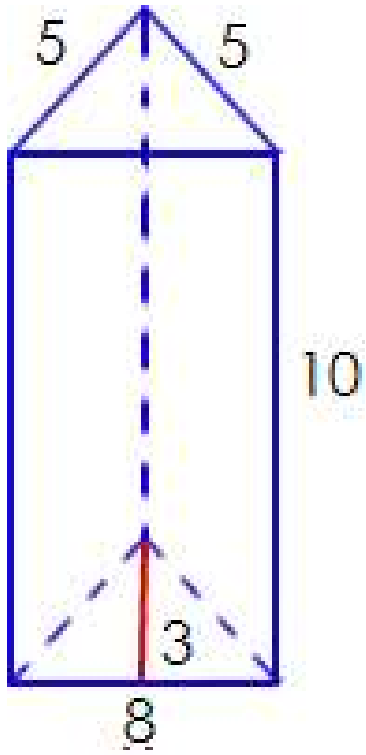
A circle is cut out of a square as shown.



8 feet

What is the approximate area of the shaded portion of the figure?

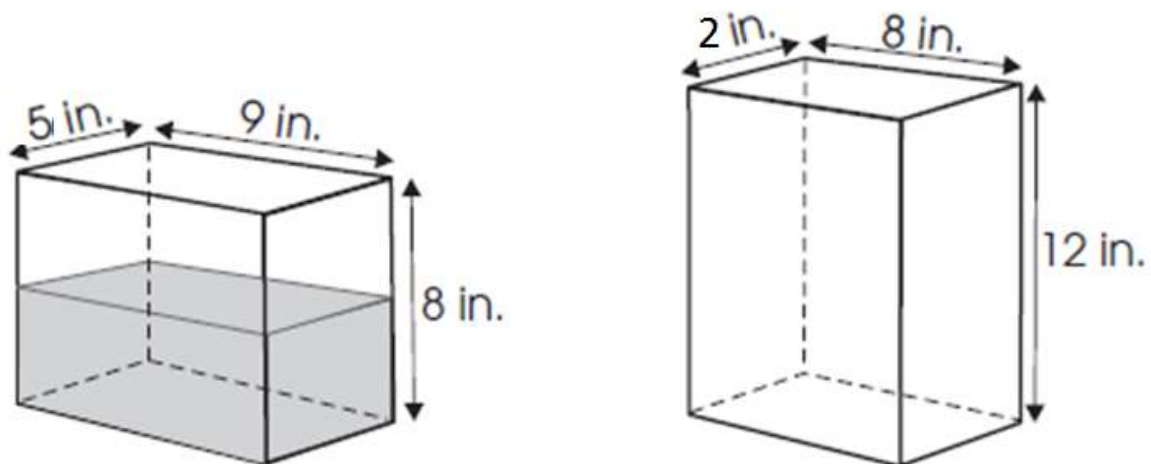




SA \_\_\_\_\_

Volume \_\_\_\_\_

The first tank shown is half filled with water. The water from this tank is poured into the second tank, which is empty.

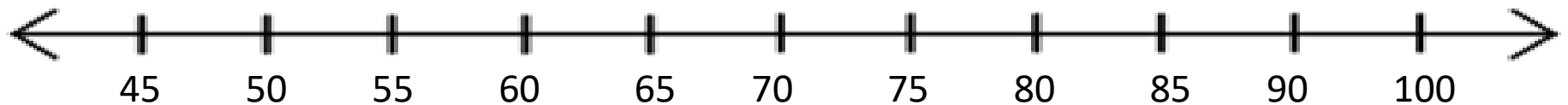


What height will the water reach in the second tank?

# Measures of Spread: Interquartile Range

## Test Grades:

60, 75, 75, 80, 80, 80, 85, 85, 85, 85, 85, 90, 90, 90, 95



What is the interquartile range?

Robyn rolled a number cube 60 times in an experiment. Her results are shown in this table.

<b>Number Rolled</b>	1	2	3	4	5	6
<b>Number of Times</b>	8	5	9	12	11	15

- 1. What is the theoretical probability of rolling a 1?
- 2. What is the experimental probability of rolling a 1?
- 3. How does the number of times Robyn actually rolled a 1 compare to how many times she expected to roll a 1?
- 4. What is the theoretical probability of rolling a 4?
- 5. What is the experimental probability of rolling a 4?
- 6. How does the number of times Robyn actually rolled a 4 compare to how many times she expected to roll a 4?