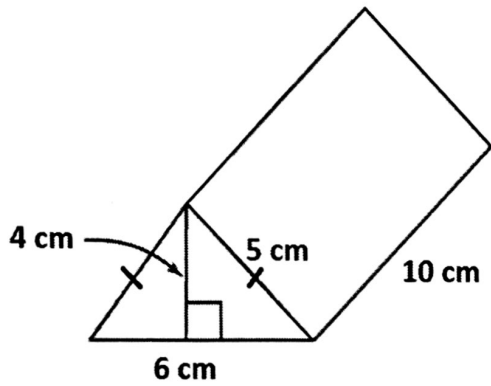


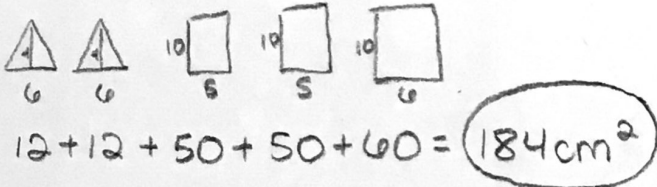
Surface Area and Volume

Example 1:

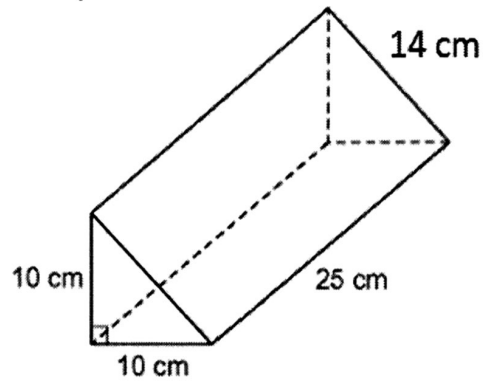


Volume: $\frac{1}{2}(6)(4) = 12(10) = 120 \text{ cm}^3$

Surface Area:

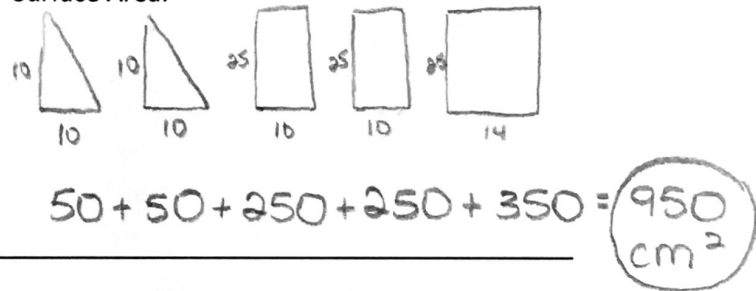


Example 2:

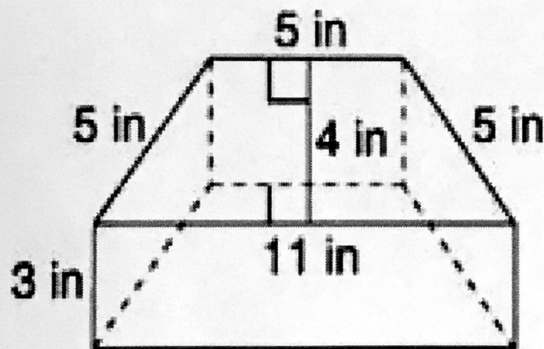


Volume: $\frac{1}{2}(10)(10) = 50(25) = 1250 \text{ cm}^3$

Surface Area:

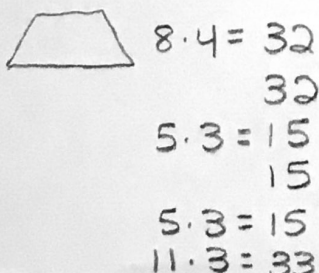


Example 3:

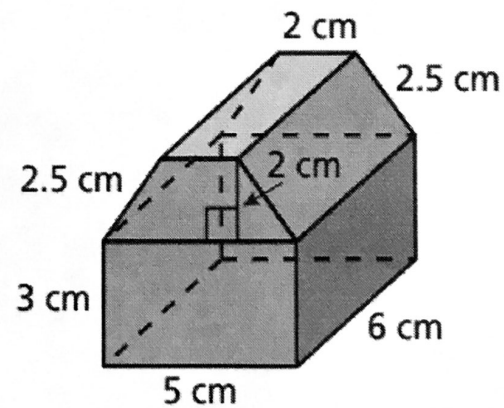


Volume: $\frac{5+11}{2} \cdot 4 = 32(3) = 96 \text{ in}^3$

Surface Area: 142 in^2



Example 4:



Rec. Prism = $15(6) = 90 \text{ cm}^3$
 Volume: Trap. Prism: $\frac{2+5}{2} \cdot 2 = 7(6) = 42 \text{ cm}^3$
 132 cm^3

Surface Area: 152 cm^2

$3 \cdot 5 \cdot 2 = 30$
 $6 \cdot 3 \cdot 2 = 36$
 $6 \cdot 5 = 30$
 $3 \cdot 5 \cdot 2 \cdot 2 = 14$
 $2.5 \cdot 6 \cdot 2 = 30$
 $2 \cdot 6 = 12$